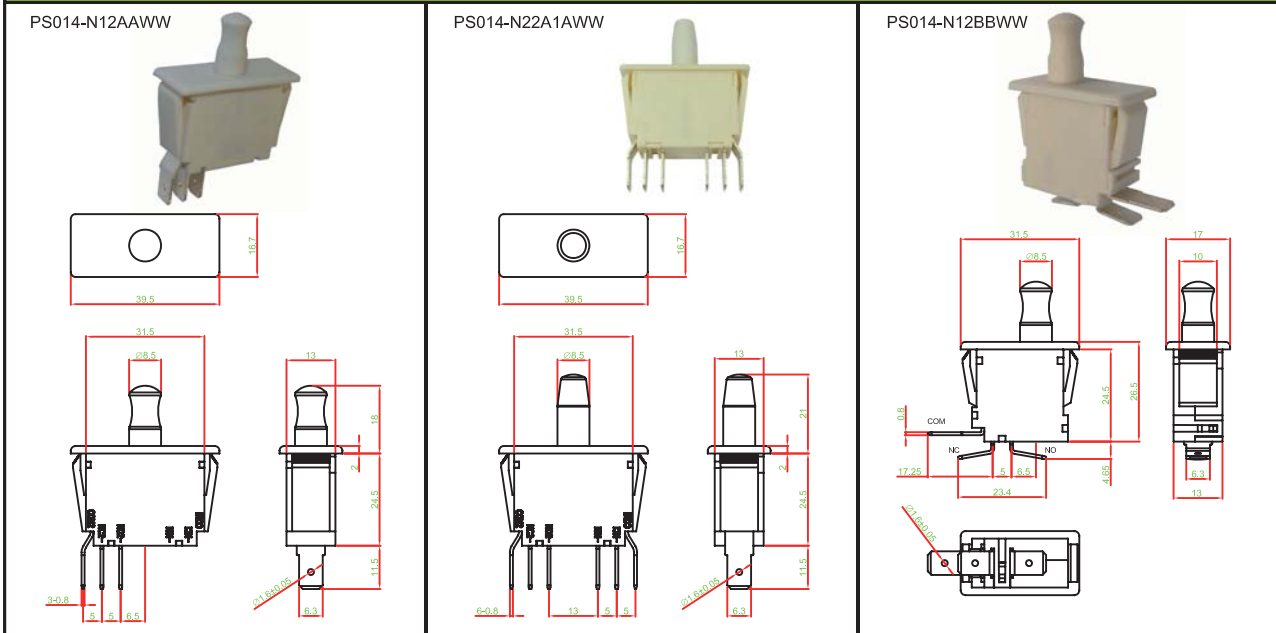
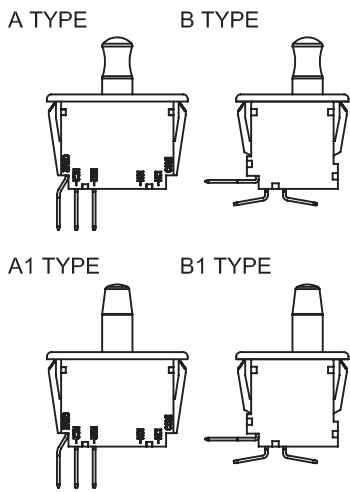


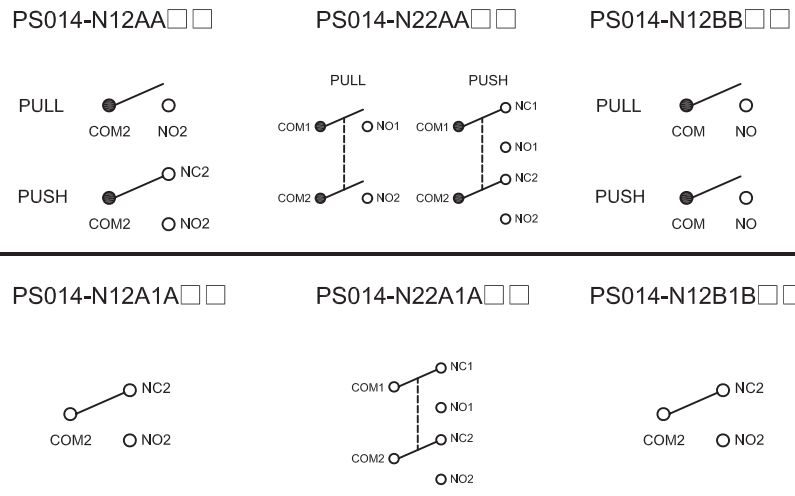
► DIMENSION



► FUNCTION



► CIRCUIT



► MATERIAL

- ACTUATOR : PA66
- FRAME : PA66
- SPRING : STAINLESS STEEL
- TERMINAL : PHOSPHOR BRONZE SILVER PLATING
- MOVING CONTACT : PHOSPHOR BRONZE SILVER PLATING

► PANEL CUT OUT

	PS014-N□2AA□□		PS014-N12BB□□	
	PANEL THICK	W	PANEL THICK	W
	0.75 ~ 1.25	36	0.75 ~ 1.25	28
	1.25 ~ 2.0	36.5	1.25 ~ 2.0	28.5
	2.0 ~ 3.0	37	2.0 ~ 3.0	29